



Machines

Tandem Rollers

ARX 1.5 - 4.5 t

www.ammann-group.com



One Concept - 13 models

3 Platforms - 8 Models - 13 Versions

The lightest platform from 1.4 to 1.6 tonnes operating weight and working widths from 82 to 100 cm offers 3 models for small job sites of asphalt or gravel layer compaction.

Specific focus for the most common size of small tandem rollers was assured having a separate platform for the ARX 23 and ARX 26 (weight class 2.3 - 2.6t, working widths 100 and 120 cm). This results in the best Quality - Performance - Cost ratio on the market.

Type	CECE-weight	Drum width	Compaction
	kg	mm	kN
ARX 12	1475	820	23
ARX 16	1520	900	23
ARX 16 K	1460	900	23
ARX 20	1570	1000	24
ARX 23	2250	1000	41
ARX 23 K	2045	1000	41
ARX 26	2460	1200	47
ARX 26 K	2250	1200	47
ARX 36	3725	1300	50
ARX 40	4125	1300	52
ARX 40 K	4055	1300	52
ARX 45	4650	1380	55
ARX 45 K	4325	1380	55



Best compaction performance

By combining the ARX 36, 40 and 45 in the heaviest platform is Ammann able to generate outstanding compaction output for medium asphalt jobs and base courses of gravel, sand and mixed soils.

The large drum diameter of these models offers the best compaction factor in the market.

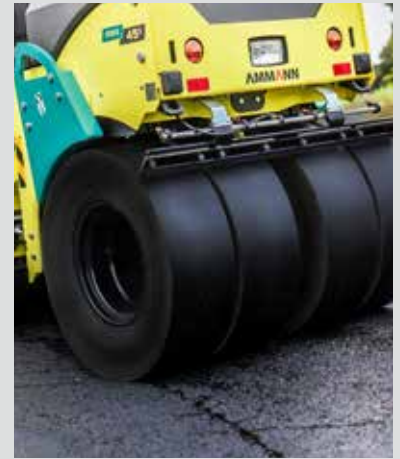




ARX 1 - Complete side-free



ARX 2-4 - drum offset



Combination Version

Tandem Version

The ARX-range with 8 models of double-drum roller in the weight categories 1.5 - 4.5 tonnes and working widths from 820 - 1380 are designed for asphalt- and soil compaction.

All models have an optimum design with regard to use and economic efficiency based on three product categories.

A new hydraulic concept coupled with the latest Yanmar diesel engine technology enables us to gain a significant increase in efficiency. It allows the diesel engine to run at a much lower speed, effectively reducing consumption and noise emissions.

A generously designed operator station with vibration insulation, a simple and clearly laid out operating panel and the multi-functional drive lever next to a comfort-seat form a unit that any driver will appreciate for ergonomic reasons and more.

Side-free Model

The ARX 12 - 20 tandem vibrating rollers are supplied as full flush models with double drive and double vibration as standard. This feature enables the drum to compact completely up against a wall. There is no more additional tuning work needed with additional compaction equipment.

Combination Version

The ARX-rollers are also available as combination rollers ARX 16 K, 23K, 26K, 40K and 45K.

The combination model has an in-built anti-adhesive tank with direct pressurised sprinkler system to the tyres. The control of the anti-adhesive sprinklers is operated by a separate hand switch on a control lever. The standard interval-sprinkler switch allows optimum water-supply on every asphalt-job.



40 mm off-set of the drums





Features & benefits

The operator makes the difference

During the development of the ARX series the needs of the operator were at the centre of the platform design. Our standard ergonomic criterias to design a safe, comfortable and productive working environment are:

- Double vibration isolated operator platform
- Fully adjustable and lateral sliding seat
- „Best - View - Design“ to drum edges and surfaces by narrow frame structure
- Clear, simple and robust layout of all displays, switches and dashboard

Vibration & Sprinkler System

- Strong vibration system with 2 frequencies
- Large drum diameter for excellent asphalt compaction
- Large water tank for minimum of 1 day's usage
- Water-sprinkler-system with pressurized pump; interval timer and 3 stage filtration
- AVC - Ammann Vibration Control
- 2 vibration amplitudes for ARX 36, 40, 45



Driver comfort and safety

- Highest levels of driver comfort due to:
 - Rubber-mounted driver's platform isolated from chassis
 - Adjustable seat
 - Slideable seat (ARX 23-45)
- Emergency - switch standard

Transport

- Folding ROPS for best transportation
- 4 Large towing-hooks front and rear
- Central lifting-point on ARX 12-26

Emission & Consumption

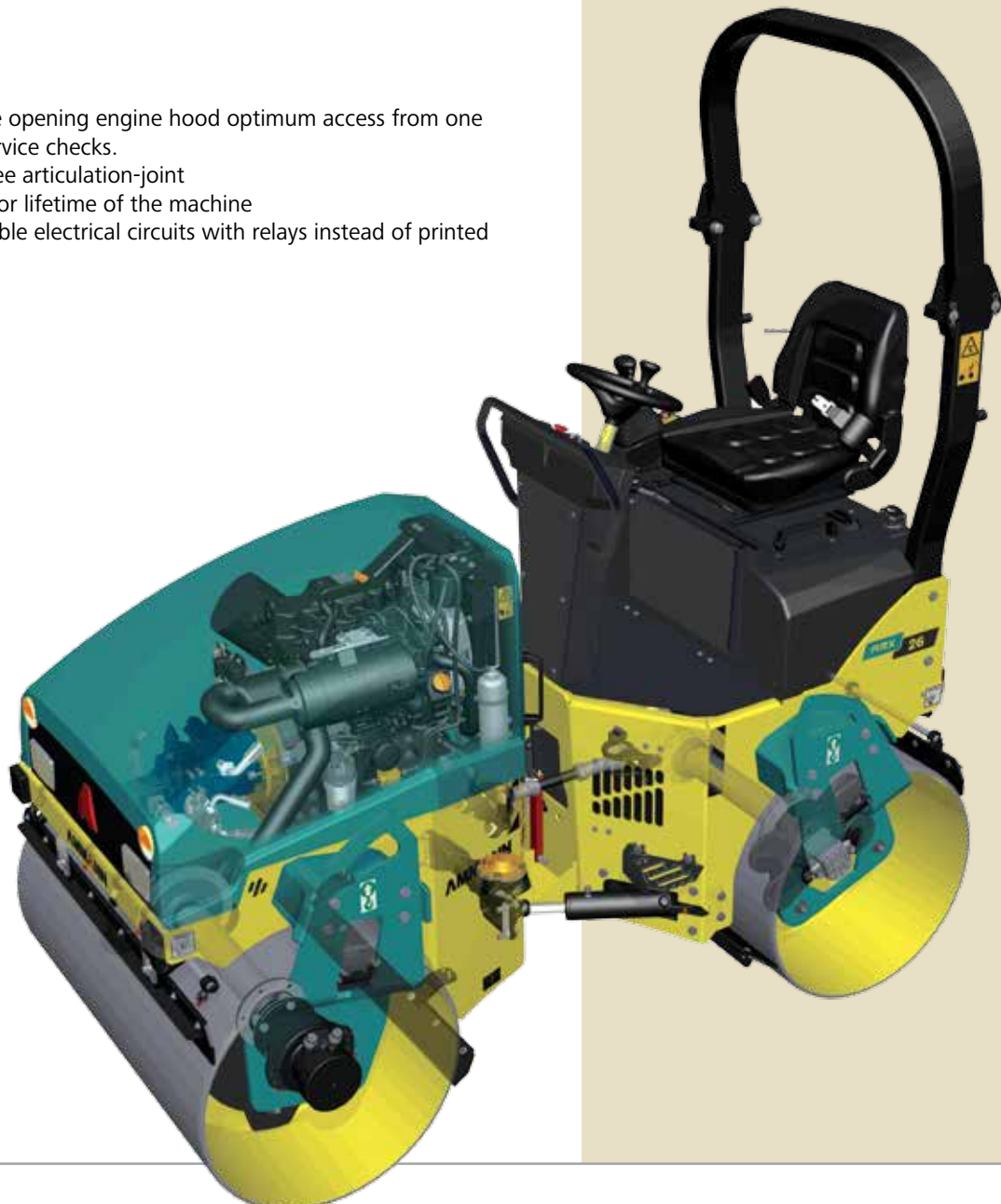
- Latest Yanmar diesel engine technology for the lowest fuel consumption and emission level
- Biodegradable oil is an option

Service

- Due to the large opening engine hood optimum access from one side for daily service checks.
- Maintenance-free articulation-joint = no greasing for lifetime of the machine
- Simple and reliable electrical circuits with relays instead of printed circuit boards



Best service access due to large engine hood





Easy operation and safe transport



Central lifting point on ARX 1 (standard)
ARX 2 (option)



4 large tie down points for safe fixing onto trailer / truck



Powerful

Optimum compaction results thanks to:

- High-torque, water-cooled Yanmar diesel engine
- 2 working speeds
- 2 frequencies with 2 centrifugal forces
- Single or double vibration with double traction
- Large drum diameter
- Balanced weight front and rear
- Large corrosion free water tank
- Multiple water filtration
- 2 scrapers per drum

Easy to operate

High comfort of operation due to:

- Easy-to-operate instrument panel
- Tight turning radius
- Compact dimensions for transport
- Smooth starting and reversing of the machine by electric drive-lever
- Rubber mounted operator's platform

Easy to maintain

Minimum maintenance required:

- Bearings are lubricated for a lifetime
- Teflon-coated central articulation-joint; lubricated for a lifetime
- Engine hood can be completely opened
- Direct access to the maintenance points situated at one side
- Outside drain plugs for rapid change of machine fluids
- Water filters and nozzles are easily accessible

Safe

High safety standards:

- CE-Package: Folding ROPS, emergency stop, comfort seat with security belt and seat contact switch
- Ergonomic instrument panel
- Unobstructed view to the drums

Vandal protection of the machine with lock preparation on:

- Instrument panel
- Engine hood
- Fuel tank
- Water tanks

Suitable

The ARX-Serie rollers are based on a modular concept allowing:

- The customisation of the machine to specific applications of the user
- Optimisation of spare parts management due to wide compatibility of the parts between different ARX models



Lockable diesel-tank standard



Folding ROPS for easy transport



2nd drive-lever



Edge-cutter



Clear dashboard layout

Technical Specifications

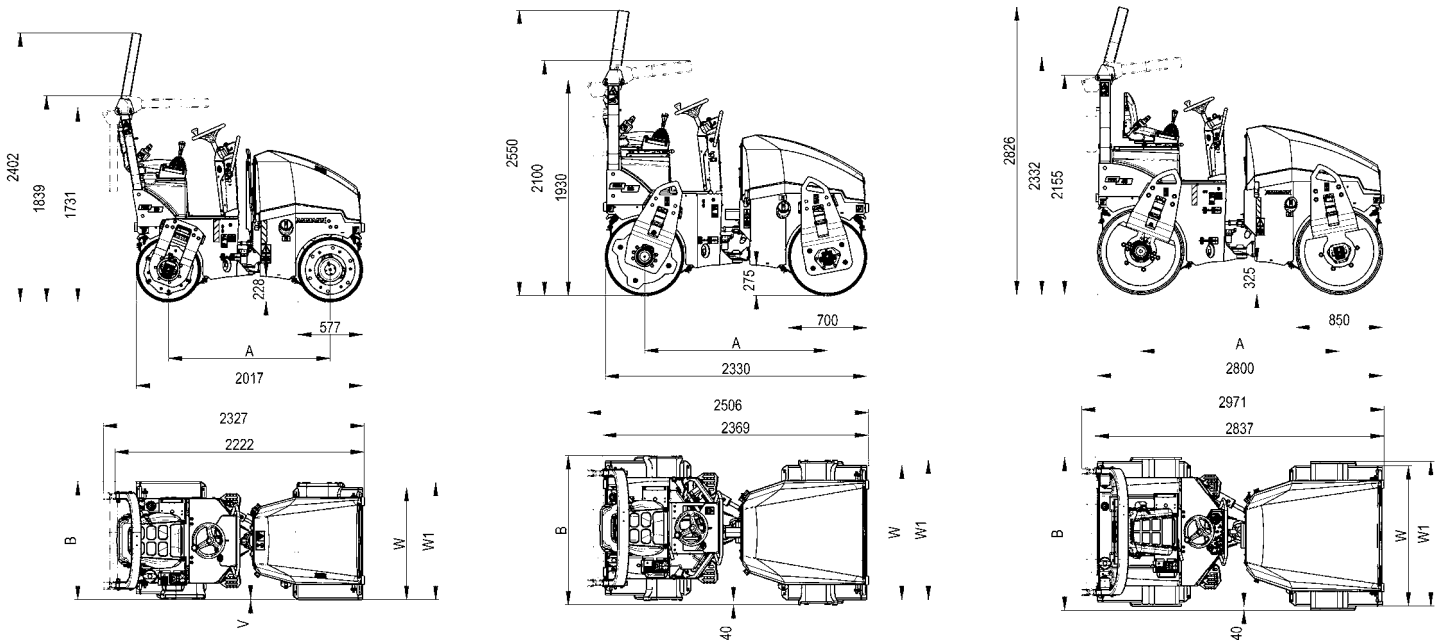
Standard

- Front and rear vibration and drive
- Control system with emergency stop
- Pressurised plus intervall sprinkler system
- Ammann Vibration Control
- Lateral sliding seat on ARX 23 - 45
- Central lifting hook (option on ARX 2)
- 2 working frequencies
- Hydraulic test-port

Options

- CE-Kit with folding ROPS and working lights
- Road lighting
- Canopy
- Asphalt-thermometer (only on ARX 4)
- Reverse alarm
- Battery disconnection switch
- Central lifting hook (only on ARX 2)
- Wide-tyre-kit ARX 26 combi
- ATC - Ammann Traction Control (only on ARX 2 + 4)
- Arm rests
- Second drive-lever, left
- Edge-cutter incl. multifunction lever

- Bio-degradable hydraulic oil
- Drums in Line (only on ARX 1)
- Customer Colour



	ARX 12	ARX 16	ARX 16 K	ARX 20	ARX 23	ARX 26	ARX 23 K	ARX 26 K	ARX 36	ARX 40	ARX 45	ARX 40 K	ARX 45 K
A	1440	1440	1475	1440	1630	1630	1653	1653	1950	1950	1950	2008	2008
B	874	952	947	1054	1129	1334	1089	1294	1423	1423	1503	1463	1463
W	820	900	900	1000	995	1200	995	1200	1300	1300	1380	1300	1380
W1	865	947	947	1046	1042	1247	1042	1247	1341	1341	1421	1341	1421
V	9	5	-	8	-	-	-	-	-	-	-	-	-

Dimensions in mm



		ARX 12	ARX 16	ARX 16 K	ARX 20	ARX 23	ARX 23 K	ARX 26	ARX 26 K	ARX 36	ARX 40	ARX 40 K	ARX 45	ARX 45 K	
Weight															
Operating weight CECE	kg	1475	1520	1460	1570	2250	2045	2460	2250	3725	4125	4055	4650	4325	
Operating weight max.	kg	1700	1700	1700	1700	2550	2550	2650	2650	4300	4700	4700	5100	5100	
Static linear load (full-flush)	kg/cm	9	8,4	8,4	7,9	11,3	11,3	10,3	10,3	14,3	15,8	15,8	16,8	16,8	
Wheel load	kg	-	-	183	-	-	251	-	260	-	-	512	-	541	
French classification		PV2	PV2	PV2	PV2	PV3	PV3	PV3	PV3	PV3	PV4	PV4	PV4	PV4	
Drums (Wheels)															
Width	mm	820	900	900	1000	1000	1000	1200	1200	1300	1300	1300	1380	1380	
Offset	mm	50	50	0	50	40	0	40	0	40	40	-	40	-	
Rolling width max.	mm	870	950	900	1050	1040	1000	1240	1200	1340	1340	1300	1420	1380	
Diameter mm	mm	575	575	575	575	700	700	700	700	850	850	850	850	850	
Thickness mm	mm	13	13	13	13	13	13	13	13	17	17	17	17	17	
Number of wheels		-	-	4	-	-	4	-	4	-	-	4	-	4	
Tire size		-	-	8/60-15	-	-	8/60-15	-	8/60-15	-	-	10,5/80-16	-	10,5/80-16	
Tire-axle width	mm	-	-	890	-	-	970	-	1170	-	-	1275	-	1275	
Engines															
Engine type	Diesel/ Water	YANMAR 3TNV76				YANMAR 3TNV88				YANMAR 4TNV88					
Emmission class		--- / EPA Inter 4				EuroMot3A / EPA Inter 4				Euromot3A / EPA Inter 4					
Power output ISO 3046	kW / HP	15,0/20,4				22,5/30,6				30,0/40,8					
Cylinder/ltr.	No./ccm	3 cyl / 1116				3 cyl / 1642				4 cyl / 2189					
1. /2. working speed	rpm	2,100 / 2,400				2,100 / 2,400				2,400					
Travel speed km/h	km/h	0 - 8				0 - 10				0 - 10					
Gradeability with / without vibr.	%	30 / 40				30 / 40				30 / 40					
Electric System															
Batterie / Capacity	V / Ah	12 / 77				12 / 77				12 / 77					
Steering															
Turning radius inside	mm	2165	2125	2125	2075	2350	2250	2250	2250	2581	2581	2581	2621	2621	
Steering / Oscillating angle	+/-°	31/5	31/5	31/5	31/5	32/8	32/8	32/8	32/8	32/8	32/8	32/8	32/8	32/8	
Vibration															
Amplitude	mm	0,5	0,5	0,5	0,45	0,42	0,45	0,42	0,45	0,36/0,55	0,36/0,55	0,34/0,55	0,36/0,55	0,34/0,55	
Frequency at 2100/2400 rpm	Hz	58/66	58/66	58/66	58/66	58/66	58/66	58/66	58/66	45/57	45/57	45/57	45/57	45/57	
Centrifugal force - max.	kN	23	23	23	24	41	41	47	47	50	52	52	55	55	
Capacities															
Water tank	l	110	110	110	110	200	200	200	200	350	350	350	350	350	
Anti-adhesive	l	-	-	10	-	-	12	-	12	-	-	18	-	18	
Hydraulic tank	l	16	16	16	16	16	16	16	16	37	37	37	37	37	
Diesel fuel tank	l	26	26	26	26	40	40	40	40	59	59	59	59	59	

Australia: Ammann Australia Pty. Ltd. | Narangba 4504

Austria: Ammann Austria GmbH | 4114 Neuhaus

Brazil: Ammann do Brasil | CEP: 94180-452 Gravataí/RS

Bulgaria: Ammann Bulgaria | 1700 Sofia

China: Ammann Construction Machinery Shanghai Co. Ltd. | Shanghai 201700

Czech Republic: Ammann Czech Republic a.s. | 54901 Nové Město nad Metují

Ammann Asphalt GmbH | 60200 Brno

France: Ammann France SAS | 94046 Créteil/Cedex

Germany: Ammann Asphalt GmbH | 31061 Alfeld (Leine)

Ammann Verdichtung GmbH | 53773 Hennef

Ammann Elba Beton GmbH | 76275 Ettlingen

India: Ammann Apollo India Private Ltd. | Ahmedabad 380 009

Indonesia: Ammann South East Asia | Jakarta 11530

Italy: Ammann Italy S.p.A. | 37012 Bussolengo

Kazakhstan: Ammann Kazakhstan LLP | Almaty 050051

Netherlands: Ammann Benelux B.V. | 7730 SK Ommen

Poland: Ammann Polska sp.z.o.o. | 02-230 Warszawa

Romania: Ammann Group Romania S.R.L. | 077125 Magurele

Russia: Ammann Russia o.o.o. | 127 473 Moscow

Singapore: Ammann Singapore Pte. Ltd. | 307591 Singapore

Spain: Ammann Iberia S L | Madrid

South Africa: Ammann Construction Machinery South Africa | Benoni 1500

Sweden: Ammann Scandinavia | 211 20 Malmö

Switzerland: Ammann Switzerland Ltd. | 4901 Langenthal

Avesco AG | 4901 Langenthal

Turkey: Ammann Teknomak A.S. | Ankara 06370

Ukraine: OOO Ammann Ukraine | 03150 Kiev

United Arab Emirates: Ammann NME FZE | Dubai

United Kingdom: Ammann UK Ltd. | Warwickshire CV37 0TY

USA: Ammann America Inc. | Ponte Vedra | Florida 32082

Detailed information can be found at: www.ammann-group.com

