



Machines

Single Drum Rollers

ASC 7-25 t Tier 3



Outstanding safety, best compaction outputs and up-to-date design ensure highest efficiency and best results under hardest working conditions. Best quality of compaction with minimum number of passes brings more profit to the enduser.

Powerful, Efficient, Safe

Operator's comfort and safety

- State of the art design, perfect visibility ensured (1 m x 1 m)
- Roomy, ergonomic cabin (Standard), ventilated and heated (Standard, platform version available)
- Accessibility of cab from both sides
- ROPS/FOPS protection of cabin and platform version (Option)
- All maintenance points easily accessible for safe and efficient service
- Simple and clearly laid out operating instruments

Minimum operating costs

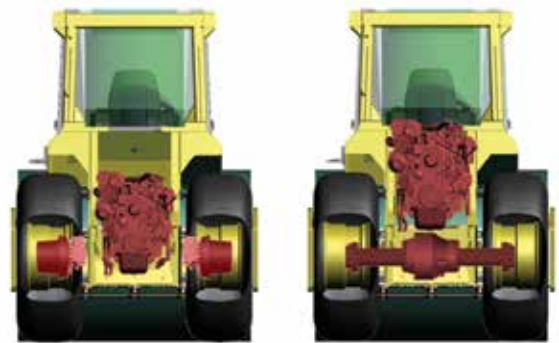
- Minimum number of passes to reach compaction targets
- Reliable engine with minimum fuel consumption
- Anti-corrosive protection of fuel tank – no big fuel filter needed
- Concept endurance and lifetime for longtime satisfaction

Highest efficiency and reliability

- High performance vibration system, best values of static and dynamic loads, effective amplitudes
- Hydrostatic powertrain without rear axle for max. traction and stability
- Articulation joint with high capacity cross rolling bearing
- ACE system for measuring and automatic regulation of compaction parameters (option)

Highest working output

- Balanced drum for uniform compaction effect
- Highest values of the centrifugal forces and amplitudes
- Maximal depth effect



ASC concept uses three Hydromotors for drum and independent rear wheel drive. This “no axle” solution allows very low emplacement of the engine, shortening of the wheelbase and covered contour of the machine.

Benefits are significant. Very low centre of gravity giving to ASC rollers outstanding stability in extreme terrains. Short wheelbase provides very small turning radius and best maneuverability. Compact design and contour ensure best visibility from cab onto working field and rear of the machine.

Different Versions for all needs

- D** Standard version for compaction applications with a smooth drum.
- PD** Padded Drum rollers are designed for medium- and large-scale compaction of semi-cohesive and cohesive materials. Available for all models.
- HD** Heavy Duty version for better traction abilities in heavy terrain – ATC system (interwheel, interaxle differential control), tyre ballast and HD power drive.
- HT** High Traction version for long time operation on slopes and landfills. ATC system, tyre ballast and HT power drive.



PD shell kit



ACE - Ammann Compaction Expert



Accessible engine compartment and battery location



Tilting cabin for safe and easy maintenance and service



Dozer blade



Integrated cockpit with rotating seat



1. Efficient compaction

Pre-selected working speeds provide optimum impact spacing for efficient compaction process.

2. Max. compaction results

Front frame and drum of the machine are optimally balanced. This feature keeps uniform compaction effect on the whole working width and increases compaction result.

Optional equipment



ACE – Ammann Compaction Expert is the unique electronic measuring and controlling system for vibrating rollers. It automatically adjusts amplitudes and frequencies to suit the characteristic of the ground; optional printing device and GPS for Continuous Compaction Control (CCC).



3. Articulated point

Double bearing articulation and oscillating joint.

4. Hydrostatic drive

ASC machines are given great operational opportunities through Ammann's original concept of all wheel hydrostatic drive. Very low center of gravity ensures an outstanding stability of the machine in the heaviest terrain.

5. Long working intervals

The large fuel tank (from 275 lt of 7-tonner up to 410 lt of 25-tonner) is able to extend working intervals up to 32 hours.

6. Accessibility

Electrohydraulic cabin and engine hood tilt for easiest and safest access of all maintenance and service points.

Technical Specifications

Standard

- Engine Tier3
- CE Kit
- ROPS
- 2 mode vibratory system
- Working lights
- Open platform w. guarding rails and sun roof
- Hydraulic testports
- Inter-wheel diff. lock
- Steel scrapers
- Manual tilting of hood/cab
- Murphy multifunction display

Optional items

Compaction control and special

- ACE - Ammann Compaction Expert with ADS and printer
- ADC - Ammann Digital Compactometer
- ACEplus – ccc through ACEplus GPS

Special application kits

- ATC - Ammann Traction Control: Interaxle diff. lock
- PD shell kit
- Dozer blade
- Tyres ballast filling
- Vulcolan scrapers
- Engine pre-filter
- Padlock device for fuel tank inlet

Operators platform and cabin

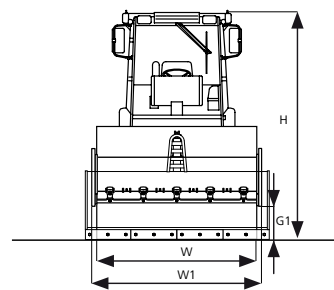
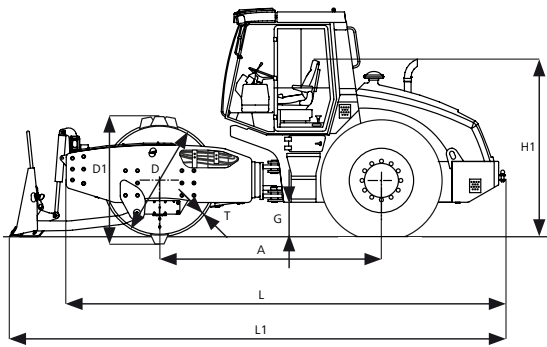
- Cabin vented, heated
- Air conditioning
- Radio preparation with antenna
- Radio CD
- Electrohydraulic cabin and hood tilting

Other

- Biological degradable hydr. oil (Panolin)
- Tools kit
- First service kit
- Fire extinguisher (Minimax)
- First aid package
- Special color/design of machine

Safety

- Warning beacon
- Back-up alarm
- Fun & Alternator safety screen
- Road lighting



Dimensions in mm	A	D	D1	G	G1	H	H1	L	T	W	W1
ASC 70 D	2560	1300	-	385	350	2870	2280	5195	25	1680	1720
ASC 70 PD	2560	1240	1400	385	350	2870	2280	5195	15	1680	1720
ASC 90 D	2560	1300	-	385	325	2870	2280	5195	25	1680	1720
ASC 90 PD	2560	1240	1400	385	325	2870	2280	5195	15	1680	1720
ASC 110 D	2878	1500	-	440	420	3070	2400	5780	25	2130	2258
ASC 110 PD	2878	1440	1640	440	420	3070	2400	5780	20	2130	2258
ASC 130 D	2878	1500	-	430	420	3070	2400	5780	35	2130	2258
ASC 130 PD	2878	1440	1640	430	420	3070	2400	5780	25	2130	2258
ASC 150 D	2930	1500	-	440	440	3075	2420	5900	40	2130	2258
ASC 150 PD	2930	1440	1640	440	440	3075	2420	5900	28	2130	2258
ASC 170 D	2930	1500	-	440	415	3075	2420	5900	40	2130	2258
ASC 170 PD	2930	1440	1640	440	415	3075	2420	5900	28	2130	2258
ASC 200 D	3160	1700	-	500	440	3265	2580	6300	45	2240	2500
ASC 200 PD	3160	1600	1840	500	440	3265	2580	6300	30	2240	2500
ASC 250 D	3290	1700	-	500	440	3265	2580	6560	50	2240	2500
ASC 250 PD	3290	1600	1840	500	440	3265	2580	6560	30	2240	2500

Dimensions of the HD and HT versions are identical.



Type		ASC 70 D	ASC 90 D	ASC 110 D	ASC 130 D	ASC 150 D	ASC 170 D	ASC 200 D	ASC 250 D
Weights									
Operating weight max	kg	9410	11090	15430	16450	18460	18180	25920	30500
Operating weight CECE	kg	7140	8820	11490	12510	14580	16270	20710	25330
Static linear load	kg/cm	23,9	31,6	34,5	39,1	48,7	51,9	63,2	78,4
Front axle load	kg	4020	5320	7360	8330	10390	11050	14150	17570
Rear axle load	kg	3120	3510	4130	4180	4190	5220	6560	7760
Drum and wheels									
Working width	mm	1680	1680	2130	2130	2130	2130	2240	2240
Drum diameter	mm	1300	1300	1500	1500	1500	1500	1700	1700
Shell thickness	mm	25	25	25	35	40	40	45	50
Tires	-	Mitas 14,9-24	Mitas 14,9 - 24	Mitas 23,1 - 26	Mitas 23,1 - 26	Mitas 23,1 - 26	Mitas 23,1 - 26	Mitas 23,5 - 25	Mitas 23,5 - 25
Type		ASC 70 PD	ASC 90 PD	ASC 110 PD	ASC 130 PD	ASC 150 PD	ASC 170 PD	ASC 200 PD	ASC 250 PD
Weights									
Operating weight max.	kg	8260	9940	14300	14930	16690	17190	23370	28110
Operating weight CECE	kg	7090	8770	12100	12740	14490	16170	20780	25520
Front axle load	kg	3970	5260	7970	8560	10300	10950	14220	17760
Rear axle load	kg	3120	3510	4130	4180	4190	5220	6560	7760
Drum and wheels									
Working width	mm	1680	1680	2130	2130	2130	2130	2240	2240
Drum diameter	mm	1240	1240	1440	1440	1440	1440	1600	1600
Shell thickness	mm	15	15	20	25	28	28	30	30
No. of pads	-	104	104	140	140	140	140	150	150
Contact area per pad foot	cm ²	114	114	120	120	120	120	143	145
Height of pad	mm	80	80	100	100	100	100	120	154
Tires	-	Mitas 14,9 - 24	Mitas 14,9 - 24	Mitas 23,1 - 26	Mitas 23,1 - 26	Mitas 23,1 - 26	Mitas 23,1 - 26	Mitas 23,5 - 25	Mitas 23,5 - 25
Engine									
Engine make	-	Cummins	Cummins	Cummins	Cummins	Cummins	Cummins	Cummins	Cummins
Type	-	QSB 3.3-C99 Tier 3			QSB 4.5- C160 Tier 3			QSB 6,7 - C 220 Tier 3	
Rated power DIN 6271	kW/HP	74/99	74/99	119/160	119/160	119/160	119/160	164/220	164/220
Drive									
No. of travel speed	-	4	4	4	4	4	4	4	4
Max. speed	km/h	11	11	12,8	13	10	10,1	12,2	9,5
Max. speed - HD/HT	km/h	10/8,4	10,3/8,4	9,2/8,2	9,2/8,2	8,1/7	8,1/7	8,7/7,5	8,1/7,1
Gradeability with vib.	%	45	40	45	45	45	35	45	45
Gradeability - HD/HT	%	55/60	40/55	55/60	55/58	55/60	35/50	50/55	55/60
Steering									
Turning radius inside	mm	3090	3090	3050	3050	3715	3715	3900	3815
Steering and oscillating angle	+/- °	36/12	36/12	36/10	36/10	36/10	36/10	36/10	36/10
Vibration									
Amplitudes	mm	1,7/0,86	1,85/0,91	1,85/1,15	1,9/1,05	2,0/1,0	2,2/1,2	2,0/1,0	2,2/1,1
Frequencies	Hz	30/41	30/41	32/35	30/36	29/35	28/35	28/34	28/34
Centrifugal force	kN	145/130	160/145	277/206	300/230	325/237	335/260	400/300	460/340
Capacities									
Fuel	lt	275	275	410	410	410	410	405	405

Australia: Ammann Australia Pty. Ltd. | Narangba 4504

Austria: Ammann Austria GmbH | 4113 St. Martin im Mühlkreis

Brazil: Ammann do Brasil | CEP: 94180-452 Gravataí/RS

Bulgaria: Ammann Bulgaria | 1700 Sofia

China: Ammann Construction Machinery Shanghai Co. Ltd. | Shanghai 201700

Czech Republic: Ammann Czech Republic a.s. | 54901 Nové Město nad Metují

Ammann Asphalt GmbH | 60200 Brno

France: Ammann France SAS | 94046 Créteil/Cedex

Germany: Ammann Asphalt GmbH | 31061 Alfeld (Leine)

Ammann Verdichtung GmbH | 53773 Hennef

Ammann Elba Beton GmbH | 76275 Ettlingen

India: Ammann Apollo India Private Ltd. | Ahmedabad 380 009

Indonesia: Ammann South East Asia | Jakarta 11530

Italy: Ammann Italy S.p.A. | 37012 Bussolengo

Kazakhstan: Ammann Kazakhstan LLP | Almaty 050051

Netherlands: Ammann Benelux B.V. | 7730 SK Ommen

Poland: Ammann Polska sp.z.o.o. | 02-230 Warszawa

Romania: Ammann Group Romania S.R.L. | 077125 Magurele

Russia: Ammann Russia o.o.o. | 127 473 Moscow

Singapore: Ammann Singapore Pte. Ltd. | 307591 Singapore

Spain: Ammann Iberia S L | Madrid

South Africa: Ammann Construction Machinery South Africa | Benoni 1500

Sweden: Ammann Scandinavia | 211 20 Malmö

Switzerland: Ammann Switzerland Ltd. | 4901 Langenthal

Avesco AG | 4901 Langenthal

Turkey: Ammann Teknomak A.S. | Ankara 06370

Ukraine: OOO Ammann Ukraine | 03150 Kiev

United Arab Emirates: Ammann NME FZE | Dubai

United Kingdom: Ammann UK Ltd. | Warwickshire CV37 0TY

USA: Ammann America Inc. | Ponte Vedra | Florida 32082

Detailed information can be found at: www.ammann-group.com

