

# ARS 170

SOIL COMPACTOR  
EU Stage V / U.S. EPA Tier 4 Final

## EXCELLING WHEREVER IT GOES

The compact design of Ammann ARS Soil Compactors improves manoeuvrability and flexibility, making the machines exceptionally productive. Safety is maximised through a new cab design that provides operators with 360° visibility and an intuitive, conveniently located control display. The proprietary ACE<sup>force</sup> Intelligent Compaction system, which offers absolute compaction measurement and optional documentation, improves efficiency and quality. The availability of a wider range of centrifugal forces make the machine a perfect fit for many applications and varied materials.

## PRODUCTIVITY

- High compaction output - faster compaction of thicker layers in fewer passes
- No-rear-axle concept – optimal stability and low center of gravity, which significantly improves safety on jobsites
- Variable range of vibration frequencies for added versatility
- ACE<sup>force</sup> Intelligent Compaction tool for higher compaction efficiency

## ERGONOMICS

- Spacious, quiet cab with integrated ROPS structure
- New multifunctional display for intuitive machine control and operation
- Excellent machine visibility with 360° view to machine edges and surroundings
- Innovative travel lever with speed adjustment and wider machine speed range (newly 5+1 speed instead of 3+1)

## SERVICEABILITY

- All service points and engine compartment accessible from the ground
- Wide-opening rear hood for easy and fast daily maintenance
- Tilttable cab for exceptional access to main hydraulic components, which significantly reduces labour
- ECOdrop – machine efficiency and reductions in fuel consumption and required fluids

## APPLICATIONS

- Medium and large compaction sites
- Transport construction
- Municipal and town roads
- Airport runways
- Rock fill dams
- Industrial zones
- Harbours
- City centers
- Dumpsite construction

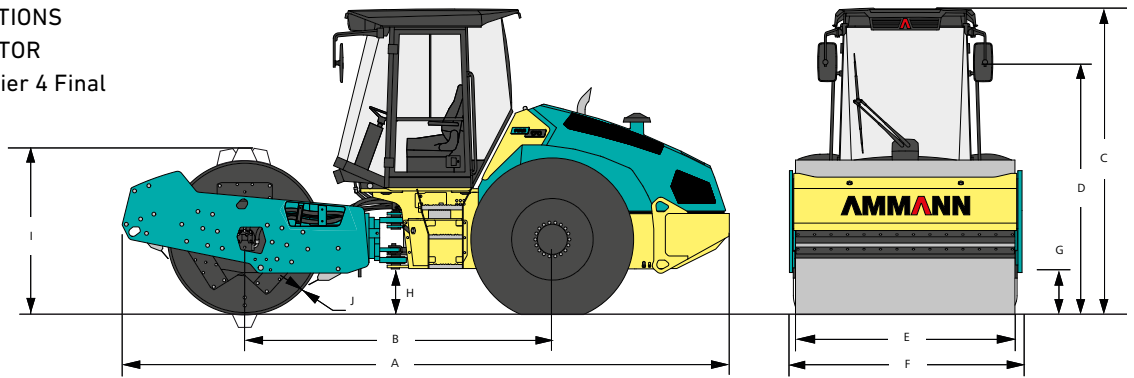
MAXIMUM RECOMMENDED COMPACTED LIFT THICKNESS AT OPTIMAL WORKING CONDITIONS

	Rockfill	Sand / Gravel	Mixed Soils	Silt	Clay
ARS 170	* 1400 mm (55 in)	* 900 mm (35 in)	* 800 mm (31 in)	600 mm (24 in)	320 mm (13 in)
ARS 170 (PD)	-	-	* 800 mm (31 in)	* 600 mm (24 in)	* 370 mm (15 in)

\* Recommended drum type

**AMMANN**

TECHNICAL SPECIFICATIONS  
ARS 170 SOIL COMPACTOR  
EU Stage V / U.S. EPA Tier 4 Final



**DIMENSIONS**

A	MACHINE LENGTH	5950 mm (234.3 in)
B	WHEELBASE	3040 mm (119.7 in)
C	MACHINE HEIGHT	2970 mm (116.9 in)
D	MACHINE HEIGHT (OPERATOR SEAT)	2200 mm (86.6 in)
E	DRUM WIDTH	2130 mm (83.9 in)
F	MACHINE WIDTH	2260 mm (89 in)
G	CURB CLEARANCE	400 mm (15.7 in)
H	GROUND CLEARANCE	430 mm (16.9 in)
I	DRUM DIAMETER	1500 mm (59.1 in) / *1685 mm (66.3 in)
J	DRUM THICKNESS	35 mm (1.4 in) / *25 mm (1.0 in)

\*PD

**ENGINE**

MANUFACTURER	Deutz TCD4.1 L4
POWER ACCORDING TO ISO 14396	115 kW (154 HP)
EXHAUST GAS AFTER-TREATMENT	EGR+DOC+DPF+SCR
	EU Stage V / U.S. EPA Tier 4 Final

**COMPACTION FORCES**

	PD	
FREQUENCY I	25–28 Hz (1500–1680 vpm)	25–28 Hz (1500–1680 vpm)
FREQUENCY II	25–35 Hz (1500–2100 vpm)	25–35 Hz (1500–2100 vpm)
AMPLITUDE I	2.22 mm (0.087 in)	2.12 mm (0.083 in)
AMPLITUDE II	0.95 mm (0.037 in)	0.91 mm (0.036 in)
CENTRIFUGAL FORCE I	265–333 kN (59,574–74,861 lbf)	265–333 kN (59,574–74,861 lbf)
CENTRIFUGAL FORCE II	113–222 kN (25,403–49,908 lbf)	113–222 kN (25,403–49,908 lbf)

**MISCELLANEOUS**

BRAKES OPERATING	Hydrostatic
BRAKES PARKING	Multiple-disc spring brake
BRAKES EMERGENCY	Multiple-disc spring brake
FUEL TANK CAPACITY	345 l (91.1 gal)
ARTICULATION ANGLE	±36°
OSCILLATION ANGLE	±10°

**WEIGHT & OPERATING CHARACTERISTICS**

	HX	PD	HXP
OPERATING WEIGHT	16 340 kg (36,020 lb)	16 360 kg (36,070 lb)	16 555 kg (36,500 lb)
MAXIMUM WEIGHT	18 910 kg (41,690 lb)	18 930 kg (41,730 lb)	17 610 kg (38,820 lb)
STAT. LIN. LOAD OF FRONT DRUM	50.4 kg/cm (282.2 lb/in)	50.4 kg/cm (282.2 lb/in)	–
PAD CONTACT SURFACE	–	–	120 cm <sup>2</sup> (18.6 sq in)
PAD HEIGHT	–	–	100 mm (3.9 in)
MAX. TRANSPORT SPEED	12.7 km/h (7.9 MPH)	10 km/h (6.2 MPH)	12.7 km/h (7.9 MPH)
MAX. WORKING SPEED	6.5 km/h (4 MPH)	5.2 km/h (3.2 MPH)	6.5 km/h (4 MPH)
CLIMBING ABILITY WITHOUT / WITH VIBRATION	56% / 50%	65% / 55%	44% / 40%
TURNING RADIUS (INNER)	3570 mm (140.6 in)	3570 mm (140.6 in)	3570 mm (140.6 in)

**STANDARD EQUIPMENT**

- CE conformity
- Cab with ROPS structure
- Smooth drum with steel scrapers
- Multiple frequencies / 2 amplitudes vibration system
- External draining points
- Working headlights (front and rear)
- Inter wheel flow divider
- Ergonomic and suspended operator seat
- Multifunctional operator display
- Telematics ready

**OPTIONAL EQUIPMENT**

- Air-conditioning (cab version only)
- Drum - PD version / steel scrapers
- Drum - PD shell kit / steel scrapers
- Smooth drum - vulcalon scrapers
- ACE<sup>force</sup> - Ammann Compaction Expert
- HX drive
- ATC (Ammann Traction Control)
- Warning beacon
- Backup alarm