

ARX 90C

ARTICULATED TANDEM ROLLER
EU Stage IV / US EPA Tier 4f

MEETING THE HIGHEST STANDARDS

The Ammann ARX 90 C Combination Roller provides the benefits of vibratory and pneumatic compactors in a single machine while meeting EU Stage IV / US EPA Tier 4f emissions standards. The optional ACE^{force} system provides a host of benefits including measurement and documentation, evaluation of material stiffness, operator guidance and documentation.

COMBI BENEFITS

- Roller can be used on various layers of asphalt and at different stages of compaction
- Steel drum has vibration capability while tyres provide static compaction that creates a sealing effect
- Vibratory and pneumatic compaction with a single machine minimises fleet needs
- Amplitude and frequency are simple to adjust
- ACE^{force} compaction control system is optional

EASY CONTROL

- Articulated steering
- Oscillating articulation joint
- 170 mm crab steering (both modes)

EXCELLENT VISIBILITY

- Excellent visibility to drum surfaces, edges and spraying bars
- Rotating and sliding seat out from Machine contour

OPERATOR FRIENDLY

- Spacious, comfortable and quiet cab
- Multifunctional display in steering wheel
- Tilttable and adjustable steering column
- Control switches on armrest

EFFORTLESS MAINTENANCE

- On-board diagnostics
- Easy access to all service points
- Single-drive pump for reduced maintenance

PRODUCTIVE OPTIONS

- Optional ACE^{force} system measures and evaluates material stiffness, guides operator and documents the compaction process
- Chip spreader for project flexibility

APPLICATIONS

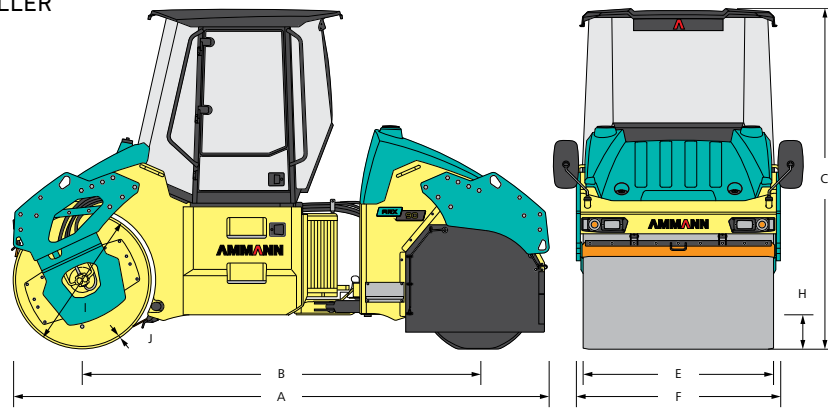
- Small and medium jobsites
- Local transport construction (municipal and town roads)
- Building construction (houses and industrial zones)

MAXIMUM RECOMMENDED COMPACTED LIFT THICKNESS AT OPTIMAL WORKING CONDITIONS

	Sand / Gravel	Mixed Soils	Silt	Clay	Stabilisation	Asphalt
ARX 90C	0.3 m (12 in)	0.2 m (8 in)	-	-	0.15 m (6 in)	0.12 m (4.7 in)

AMMANN

TECHNICAL SPECIFICATIONS
ARX 90C ARTICULATED TANDEM ROLLER
EU STAGE IV / US EPA TIER 4F



DIMENSIONS

A	MACHINE LENGTH	4720 mm (185.8 in)
B	WHEELBASE	3500 mm (137.8 in)
C	MACHINE HEIGHT	3000 mm (118.2 in)
D	MACHINE HEIGHT (REMOVED CAB / ROPS)	-
E	DRUM WIDTH	1680 mm (66.1 in)
E	PNEU WIDTH	-
F	MACHINE WIDTH	1800 mm (70.9 in)
H	GROUND CLEARANCE	300 mm (11.8 in)
I	DRUM DIAMETER	1220 mm (48.0 in)
J	DRUM SHELL THICKNESS	19 mm (0.7 in)

MISCELLANEOUS

BRAKES OPERATING	Hydrostatic
BRAKES PARKING	Mechanical multiple-disc
BRAKES EMERGENCY	Mechanical multiple-disc
FUEL TANK CAPACITY	220 l (58.1 gal)
VOLTAGE	24 V

WEIGHT & DRIVING CHARACTERISTIC

OPERATING WEIGHT	9410 kg (20750 lb)
MAXIMUM WEIGHT	10880 kg (23990 lb)
STAT. LIN. LOAD OF FRONT DRUM	28.4 kg/cm (159 lb/in)
STAT. LIN. LOAD OF REAR DRUM	-
MAX. TRANSPORT SPEED	10.5 km/h (6.5 MPH)
MAX. WORKING SPEED	-
CLIMBING ABILITY	30%
TURNING RADIUS INNER (EDGE)	5470 mm (215.4 in)
CRAB MODE	170 mm (6.7 in)

STANDARD EQUIPMENT

- CE conformity
- Open platform with ROPS canopy
- 170° rotating and sliding working station with multifunctional display
- Two stage vibration system (2 frequencies/2 amplitudes)
- Working lights 2 front, 2 rear
- Electronic idle control
- Pneu-tire axle with emulsion sprinkling and thermal aprons

COMPACTION FORCES

FREQUENCY I	42 Hz (2520 VPM)
FREQUENCY II	52 Hz (3210 VPM)
FREQUENCY ACE MIN. / MAX.	-
OSCILLATION FREQUENCY	-
AMPLITUDE I	0.7 mm (0.028 in)
AMPLITUDE II	0.34 mm (0.013 in)
AMPLITUDE ACE MIN. / MAX.	-
OSCILLATION AMPLITUDE	-
CENTRIFUGAL FORCE I	84 kN
CENTRIFUGAL FORCE II	68 kN
CENTRIF. FORCE ACE MIN. / MAX.	-

ENGINE

MANUFACTURER	Deutz TCD3.6 L4
POWER ACCORDING TO ISO 14396	74.4 kW (100 HP)
MAXIMUM TORQUE	410/1600 Nm (ft lb)/rpm
ENGINE COMPLIES WITH EMISSION REGULATIONS	EU Stage IV / US EPA Tier 4f



OPTIONAL EQUIPMENT

- Ventilated and heated Cab
- Air Condition
- ACE^{force} compaction measurement (absolute values) and ADS documentation system
- GPS mapping for ACE systems
- Telematics-ready
- Chip spreader Ammann
- Edge cutter